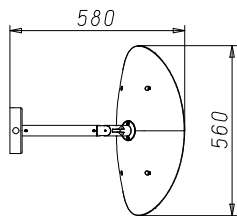
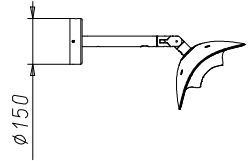
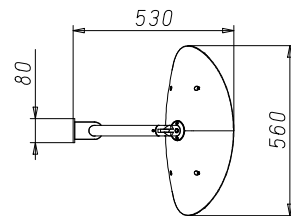
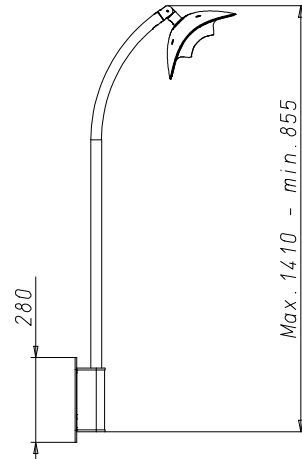


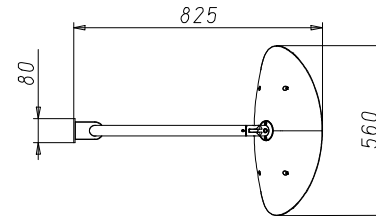
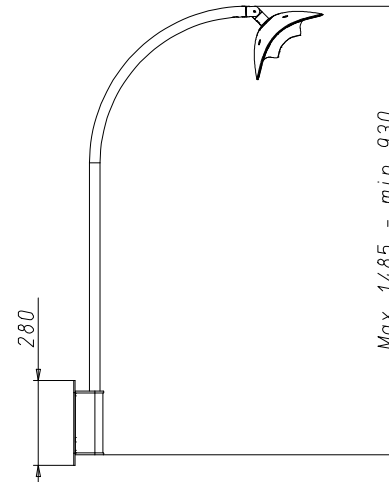
HAA01



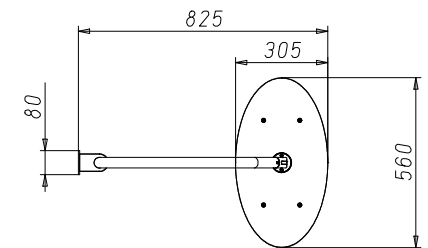
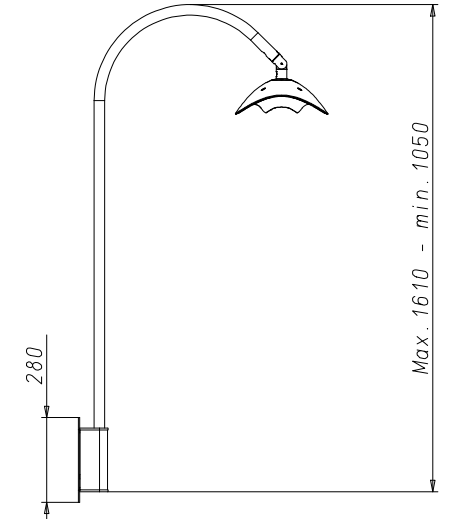
HAA11



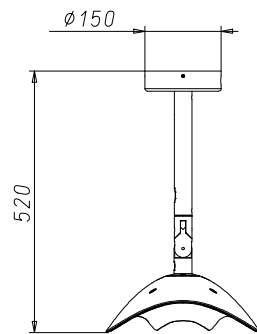
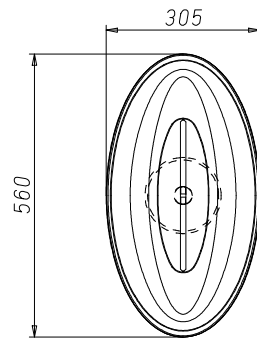
HAA12



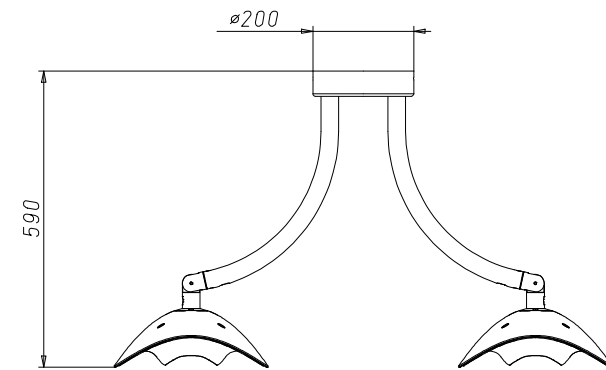
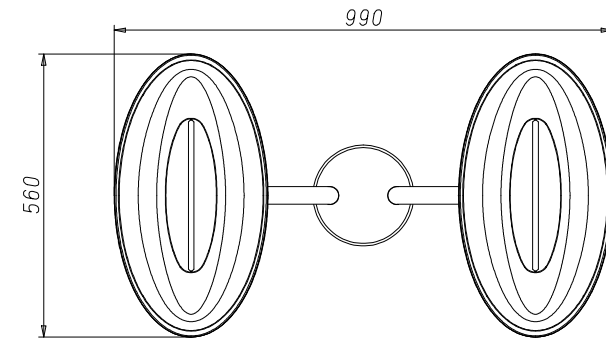
HAA13



HBA01



HBA21

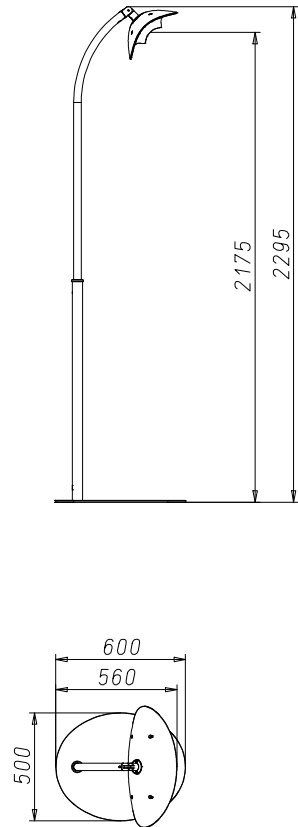


HOTDOOR

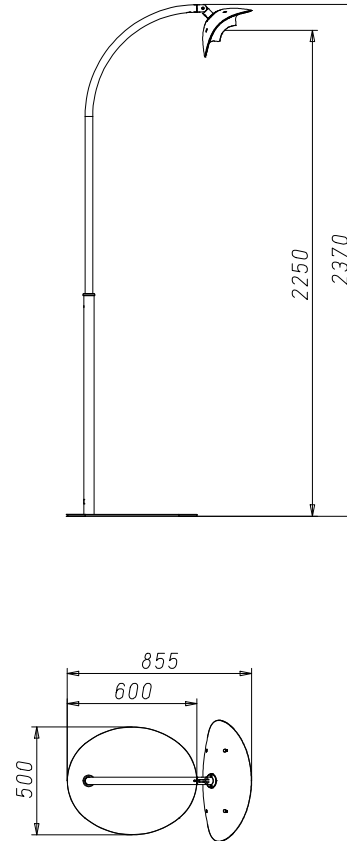
DIMENSIONS

Patented

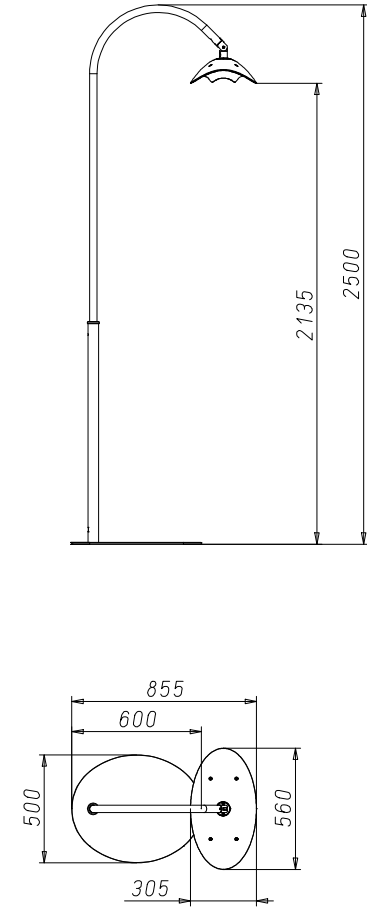
HCA01



HCA02



HCA03

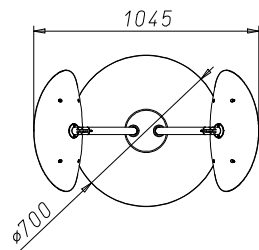
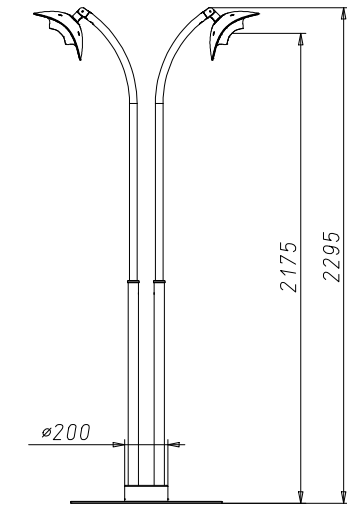


HOTDOOR

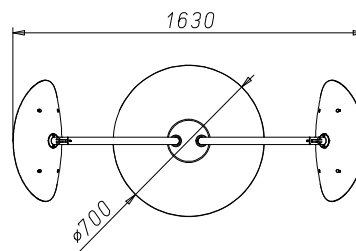
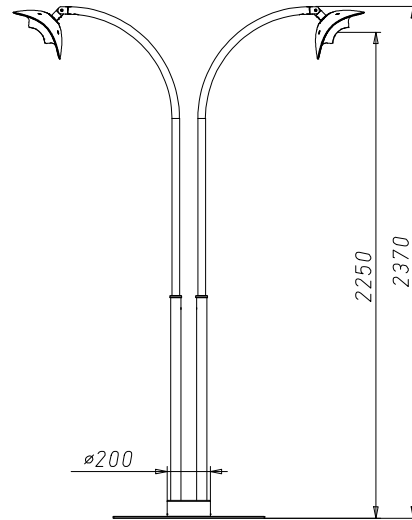
DIMENSIONS

Patented

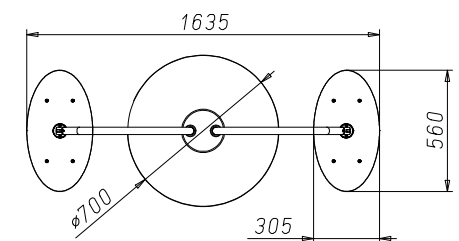
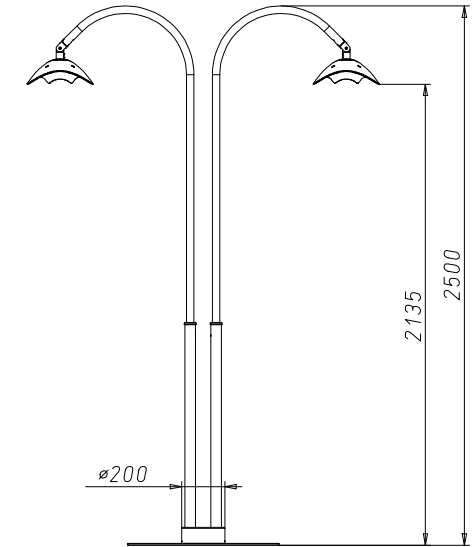
HCA21



HCA22



HCA23



HCB01

